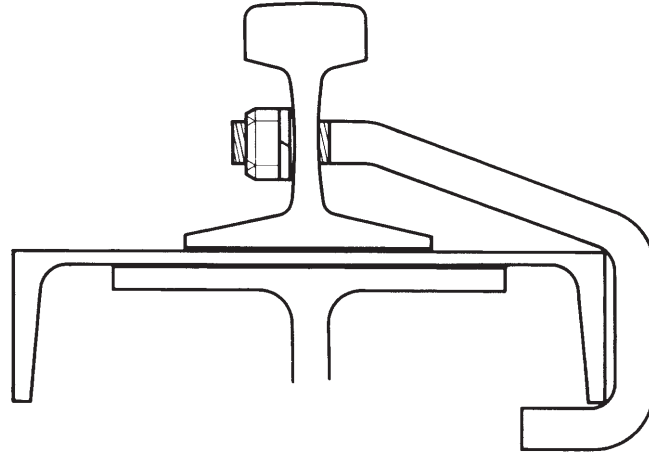


Track Accessories

Hook Bolts

Hook bolts are very commonly used to attach lighter rails (usually up to 85 lbs.) to channels (as shown at left) or directly onto a crane rail beam. They are usually threaded to allow up to 1/2" lateral adjustment in either direction, and come complete with hex nuts and lockwashers. When ordering, specify rail section, bolt diameter, and the size and weight of supporting beam or channel.



Flangeway Road Crossing Guards

Rigid steel bars protect concrete or asphalt paving, provide smooth road crossings level with top of rails. Specially designed steel castings fit into web of rail and around rail base and position flangeway guards to maintain correct space between pavement and rail head. Specify section and weight of rail and width of crossing.

